



**AIR COOLER**  
**OPERATING INSTRUCTIONS**  
**MODEL NO: HACT-306**



# Instruction Manual

**Important safety instructions: read carefully and keep for future reference.**

## IMPORTANT SAFEGUARDS

When using an electrical appliance, basic safety precautions should always be observed, including the following:

### READ ALL INSTRUCTIONS BEFORE USING

**WARNING: To reduce the risk of fire, electrical shock, or injury to person:**

1. The product is for household use only.
2. Connect the appliance to single-phase AC supply of the voltage specified on the rating label.
3. Always turn the product to the OFF position and unplug it from the electrical outlet when not in use.
4. Extreme caution is necessary when the appliance is used by or near children, invalids or elderly person.
5. Do not run cord under carpeting and do not cover cord with throw rugs, runners or the like. Arrange cord away from traffic area and where it will not be tripped over.
6. Do not operate the appliance with a damaged cord or plug, or after the unit malfunctions, has been dropped, or damaged in any manner.
7. If the supply cord is damaged, it must be replaced by the manufacturer or its service agent or a similarly qualified person to avoid a hazard.
8. Use the appliance in a well-ventilated area. While using, distance of no less than 20cm should be kept away from wall or corner to ensure the air intakes or exhaust openings should not be blocked unexpectedly. The unit must not be located immediately below or besides a curtain or the likes.
9. Do not insert or allow fingers or any other objects into grill to avoid a mechanical danger when in use. Do not block air intakes or exhaust openings in any manner.
10. Adequate clean water should be put into the tank within the water level limits as shown by the water level indicator. Make sure that you DO NOT add water whilst the power is on.
11. If you want to move the product whilst water is in the tank, unplug it and push it slowly and very lightly on the side of the unit to avoid water spillage. The best method would be to drain the unit using the valve at the bottom of the unit.
12. Please keep the ice crystals box provided away from children, as it is a chemical based substance that is harmful if swallowed. Also make sure that the ice pack is not placed in direct sunshine. The ice crystal can be used over 5 years. When scrapping the appliance, follow the regulations concerning the disposal of ice crystals.
13. Use the appliance on flat, dry floor only.
14. This appliance is not intended for use by persons (including children) with reduced physical, sensory or mental capabilities, or lack of experience and knowledge, unless they have been given supervision or instruction concerning use of the appliance by a person

responsible for their safety.

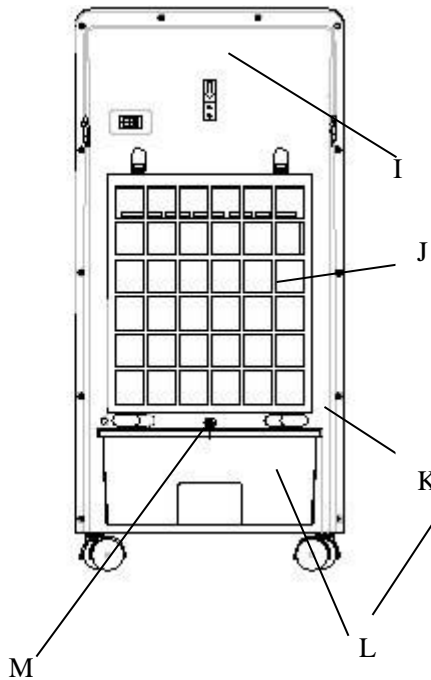
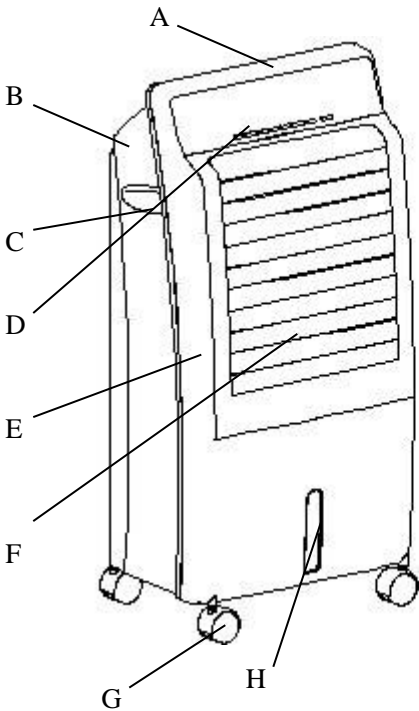
15. Children should be supervised to ensure that they do not play with the appliance.

**FOR HOUSEHOLD USE ONLY SAVE THESE INSTRUCTIONS**

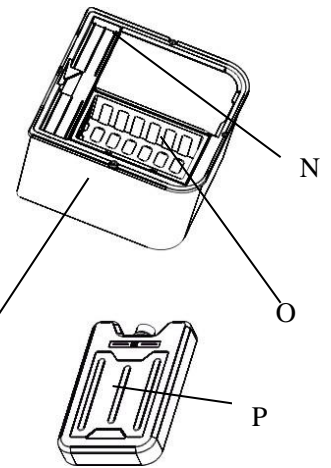
## SPECIFICATIONS

Model No	<b>HACT-306</b>
Rated Voltage & Frequency	<b>220-240V~ 50/60Hz</b>
Rated Power	<b>100W</b>
Capacity of water tank	<b>20L</b>
Water consumption	<b>1.0L/h</b>

### STRUCTURE AND



### PARTS



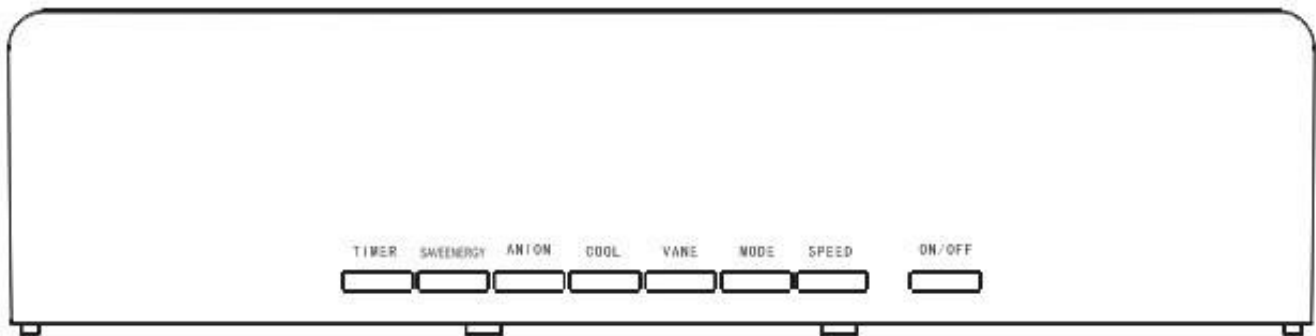
A-Upper board  
 D-Control panel  
 G-Castor wheel  
 J- Dust-proof bracket  
 M- Small knob  
 P- Ice crystals box

B-Lateral board  
 E-Front board  
 H- Water indicate window  
 K- Cord bobbin  
 N-Water tank cover

C- Handle  
 F-Louver frame  
 I- Rear board  
 L- Water tank  
 O- Ice basket

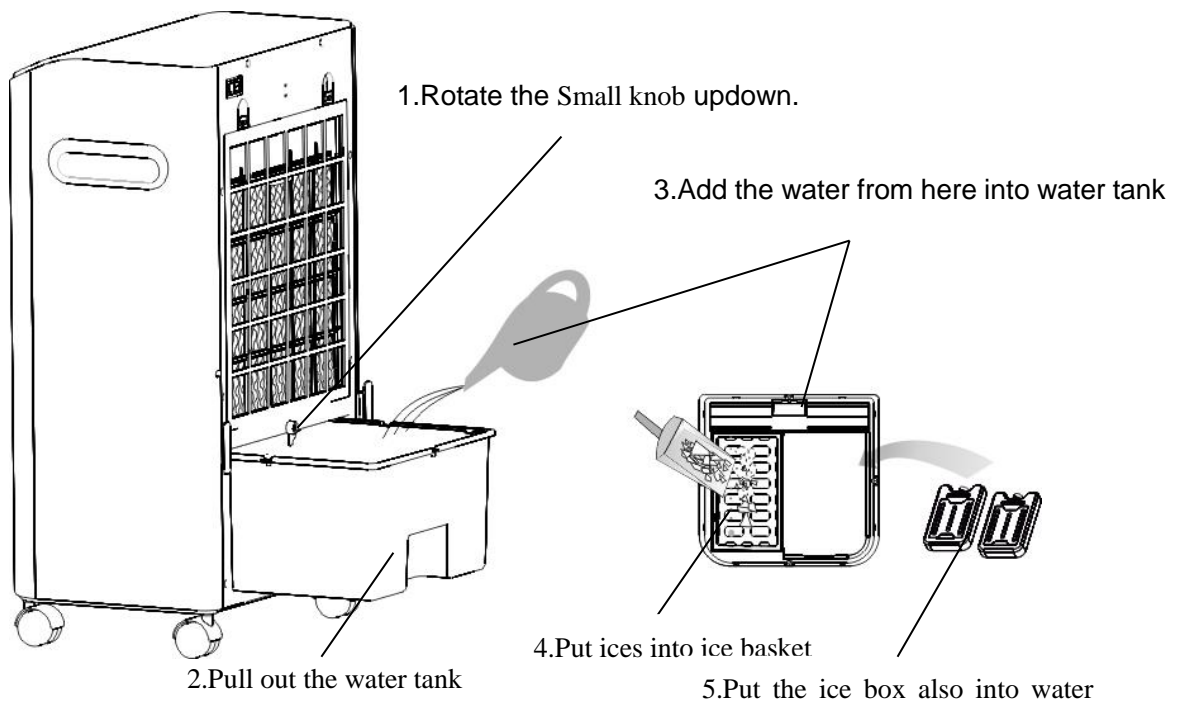
Control panel:

**AC-5U:**



**INSTRUCTIONS FOR USE**

1. When using the appliance, make sure that it is on a flat and stable surface. Damage may occur if it is placed on an incline or decline. If you need cooler more, add ice block into upper water slot, see following image:



**Note: the ice box should be far way from children to avoid eating**

2. Insert the plug directly into a standard AC socket-outlet. Be sure plug fits tightly into outlet. Now the power pilot light will light on.

3. ON/OFF button

Press the button ON/OFF to start the fan

**Note:** the default fan speed and fan mode is Medium and Normal when press ON/OFF one time.

4. SPEED button

Press the SPEED button to set the desired fan speed (Low/ Medium/ High).

As per the following sequence: MI→ HI→ Lo→ MI. The fan speed selecting can be circulated and the speed pilot lamp will be on during the fan operating.

5. VANE button

If you want to enlarge blast area in your room, press the vane button, the fan will blast your room in large scope; the vane light will be illuminated. To stop vane, just press the vane button again, the vane pilot light will go out. Moving the horizontal louvers either up or down can make further wind direction enhancements.

6. TIMER button

Set the time by pressing the timer button to select a desired timing level as follow, the range is between 0.5-7.5 hours. The pilot light corresponding to the selected timing level will be illuminated.

7. MODE button

The default setting is Normal wind, and then you can press the button Mode again to choose your desired wind mode as per the following sequence:



The wind mode selecting can be circulated and the wind mode pilot lamp will be on during the fan mode in operating.

8. COOL button

**Please noted that the COOL LAMP will flashing when you press the Cool button if there is no or lacked water in water tank.**

8-1 Before operating the unit in Cool mode, make sure the escape valve for the water tank is properly fixed. Then proceed to add clean water into the water tank. While adding the water, make sure that you keep an eye on the water level indicator to make sure that you do not OVER or UNDER FILL the unit. Press the button Cool after you have added the water and the unit should commence to blow cooler air. The cool light will light on at the same time. When you press the button Cool again, it will stop working, the cool light will also go out.

8-2 If you find that the air after Step 1) is still not cool enough, you can add additional ice block into the water tank directly by opening the water tank cover. Be sure not to exceed the icebox capacity otherwise damage to the unit or electric shock may occur.

8-3 If you wish to use an Ice box instead of ice block, just place it directly into the tank by opening the water door. It will be good cooling efficiency if you place it in your refrigerator and let the ice pack freeze for 1 to 2 hours.

8-4 You may complete pull out water tank, then replace water in the water tank or clean water tank,

8-5 Under the cooling work condition, the appliance will delay 5 minutes to stop working

when you shut off the unit or timing finished, during the extended period, the timer pilot lamp is flashed.

9. ION button

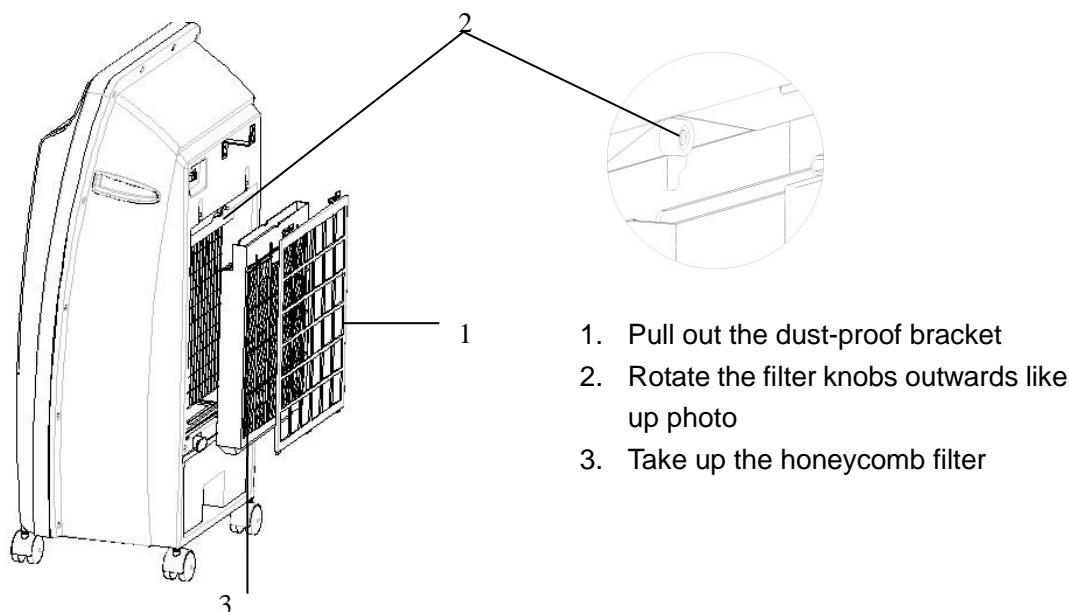
To gain fresh air in your room, just press ION button and the build-in ionizer will operate.

10. **SAVEENERGY** button

**Press the "SAVEENERGY " button once TO shut or open all indicators.**

11. The function of above item can be carried out with your remote control by pressing the corresponding function button. The remote control can work with a distance of within 5 meters and an angle about 20 degrees.

12. How to knock down the dust-proof bracket and honeycomb filter



13. To turn off the unit just press the button OFF.

14. To completely shut the unit off, turn all the controls to OFF, and remove plug from the socket-outlet.

## MAINTENANCE

1. Always remove the plug from the socket-outlet and allow the fan blower to stop acting before clean it.

2. Clean the external surfaces of the unit with a soft damp (not dripping wet) cloth.

### **WARNING:**

**Do not immerse the unit in water.**

**Do not use any cleaning chemicals such as detergents and abrasives.**

**Do not allow the interior (special for the PCB) to get wet as this could create a hazard.**

3. After extended periods of use, be sure to replace the water in the tank with fresh clean water at least weekly. Also remember to clean the filter by unscrewing the filter and removing the filter cradle. It should be cleaned in a mild soapy solution and then left to dry

before replacing the filter.

4. When the unit is not in use, make sure that it is unplugged from the wall socket, water is drained thoroughly and it is placed back into its original box for storage until later use.

5. In case of malfunction or doubt, do not try to repair the fan yourself, it may result in a fire hazard or electric shock.