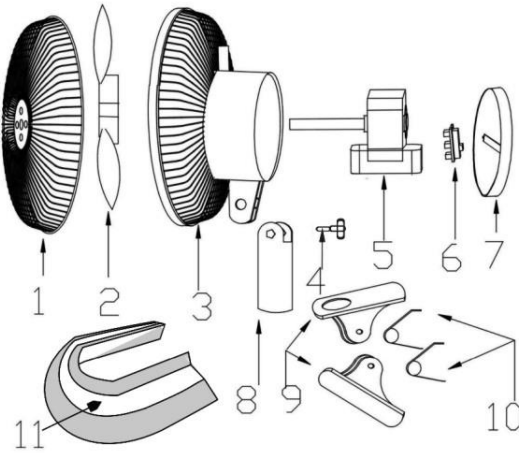




HomeElectric

## 2-in-1 CLIP FAN ELECTRIC TABLE FAN

MODEL:HFT-1501



1: Front Guard

2: Fan Blade

3: Back Guard

4: Lock Screw

5: Motor

6: Speed Switch

7: Back Cover

8: Post

9: Clip

10: Spring

11: Base

### INSTRUCTION FOR INSTALLING 6" CLIP FAN

**WARNING:** IF THE SUPPLY CORD IS DAMAGED, IT MUST BE REPLACED BY THE MANUFACTURER OR ITS SERVICE AGENT OR SIMILAR QUALIFIED PERSON IN ORDER TO AVOID A HAZARD. BE SURE TO SHUT OFF ELECTRIC SUPPLY AT MAIN SWITCH OR CIRCUIT BREAKER BEFORE INSTALLATION. THE IMPORTANT SAFEGUARDS AND INSTRUCTION APPEARING IN THIS MANUAL ARE NOT MEANT TO COVER ALL POSSIBLE CONDITIONS AND SITUATION THAT MAY OCCUR. IT MUST BE UNDERSTOOD THAT COMMON SENSE, CAUTION AND CARE ARE FACTORS WHICH CANNOT BE BUILT INTO ANY PRODUCT. THESE FACTORS MUST BE SUPPLIED BY THE PERSON(S) CARING FOR AND OPERATING THE UNIT.

NO RESPONSIBILITY WILL BE ACCEPTED FOR ANY DAMAGE WHICH MAY OCCUR DURING TRANSPORT OR BY IMPROPER INSTALLATION OR VOLTAGE FLUCTUATION OR IF ANY PORTION OF THE PRODUCT HAS BEEN ALTERED OR MODIFIED.

### **CAUTION**

1. Improper installation may result in the risk of fire, electric shock, or injury to persons.
2. To prevent risk of fire and electric shock, do not use the unit near windows.
3. Power plug must be removed from power socket before cleaning, servicing, maintenance and move from one location to another.
4. The fan should be placed on a flat and stable surface when operating to avoid overturning.
5. The fan should not be placed in a damp place or where humidity is high (such as in a bathroom).

### **OPERATION INSTRUCTION**

1. The installation has been completed.
2. Turn the spinner at the back cover to select the speed 0, 1, 2
3. The Angle of the fan is adjustable through the connector.
4. The clip should nip at a certain place steadily to avoid over falling.
5. The stand has a rotate degree of 360°, you can change the position you need.

### **ASSEMBLY INSTRUCTIONS**

Connect the back guard and the clip post with the lock screw.

21X14.2CM