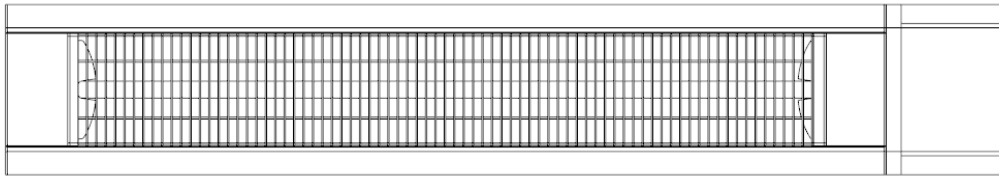


Infrared heater

Model: T02-GR20B/T02-HR20B/T02-GW20B/T02-HW20B
T02-GR25B//T02-GW25B/T02-GR30B//T02-GW30B



T02-GR20B/T02-HR20B/T02-GW20B/T02-HW20B
T02-GR25B//T02-GW25B/T02-GR30B//T02-GW30B

Thank you for purchasing the new remote infrared heater.

These operating instructions will help you use it correctly and safely.

We recommend that you take some time to read this instruction manual so that you can fully understand all the operating functions it provides.

Please read all safety instructions carefully before use, and keep this manual for future reference.

Safety warning

Please read all instructions before trying to operate this device. Keep the assembly instructions for future reference. Keep the assembly instructions for future reference. When storing the heater during a long period of non-use, please keep the original packaging for use.

-Please read all instructions before using this device.

-Do not leave this device unattended when using it.

-This heater will get hot when in use. Do not touch hot surfaces.

-Note: Some parts of this product may become very hot and cause burns. When children and vulnerable groups are present, special attention must be paid.

-Do not move the device when using it. Before moving, please wait for the heater to cool completely, and check whether the heater has been unplugged from the power supply.

-Place the device at least 1m away from highly flammable materials such as furniture, trees, leaves, hay and bushes.

-The heater must be at least 1.8m (6ft) above the ground and at least 0.7m (2.5ft) above the building ceiling or hanging objects.

-The heater must not face up, towards the ceiling. The heater element must face the area to be heated.

-Warning: To avoid overheating, do not cover the heater. It's not for drying clothes.

-Keep children and pets at a safe distance away from equipment.

-Children aged 8 and above, as well as people with reduced physical, sensory or mental abilities or lack of experience and knowledge, can use this equipment, provided that they have received supervision or guidance on safe use of this equipment and know the dangers involved.

-Children are not allowed to play with the equipment. Without supervision, children are not allowed to carry out cleaning and user maintenance.

-If there are any signs of damage or malfunction, do not operate the heater.

-Do not try to repair or adjust any electrical or mechanical functions on this device. The device does not contain any user-serviceable parts. Only qualified electricians can

carry out maintenance or repair. Trying to repair the equipment yourself will void your warranty.

-If the power cable is damaged, it must be replaced by the manufacturer, its service agent or similar qualified personnel to avoid danger.

-Do not operate components with bare hands. If accidentally touched, use a soft cloth and methylated alcohol or alcohol to remove finger marks, otherwise these marks will burn into the components, resulting in premature failure of the heater.

-Do not replace or attempt to replace the components in this product.

-This product is suitable for indoor and outdoor use. Do not use this heater near the bathroom, shower or swimming pool.

-This product must not be exposed outdoors for a long time.

-Do not touch the plug with wet hands or wet hands.

-Do not run the power cord under the carpet. Do not cover the power cord with carpet, slide or similar covering. Place the power cord away from pedestrians and where you won't trip.

-Do not wrap the power cord around the equipment.

-Do not insert or allow foreign objects into any ventilation or opening of the heater, as this may cause electric shock, fire or damage to the heater.

-To prevent possible fire, don't block the vent.

-There are heating and arc or spark parts inside the heater. Do not use it in areas where gasoline, paint, explosives and/or flammable liquids are used or stored. Keep the equipment away from heated surfaces and open flames.

-Avoid using extension cords as much as possible, as this may overheat and cause a fire. However, if you have to use the extension cable, please make sure that it is suitable for the purpose, has been tested for outdoor use, and it is best to have RCD equipment installed or connected.

-Always make sure that the heater is plugged into a suitable socket, which has been tested for outdoor use.

-To disconnect the heater, turn off the controller and unplug it from the socket. Do not unplug the plug by pulling the power cord.

-Before moving, cleaning or storing, always unplug the equipment to ensure that it is completely cooled.

-This heater is for domestic use only and should not be used for commercial contract purposes. Any alternative use not recommended by the manufacturer may cause fire, electric shock or personal injury.

-It is not recommended to use accessories on the heater.

-Warning: This heater is not equipped with a device to control the room temperature. Unless there is continuous supervision, don't use this heater in a small room occupied by people who can't leave the room by themselves.

-Before installing the heater, check the outer wall for damaged areas.

-Always use on dry, properly firm, stable, flat and horizontal surfaces.

-Check the communication, cable and pipeline of the external wall. If there are any service lines nearby, please don't install the heater and find another place to install this product.

-Do not put it directly above or below the power outlet.

-Do not remove any warning labels or signs from the product.

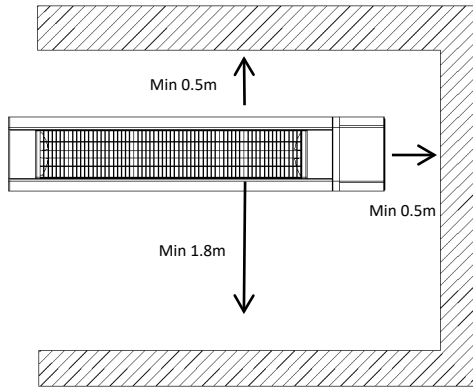
Installation steps of the wall-mounted heater

● Before the installation, these matters need to attention

- 1.Products should be put down gently
- 2.Acid and alkali environment installation is not recommended.
- 3.The product must be grounding
- 4.The products are required to check the product brand mark on the voltage and the local voltage whether conform.
5. Ensure the power rating should have sufficient current carrying capacity.

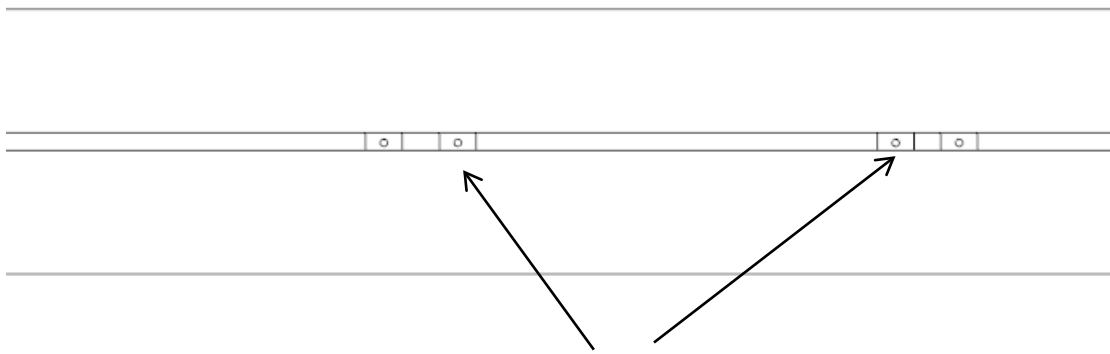
● Ensure the production's installation site

For the safe use of the product, the product installation position should guarantee the bottom minimum height of 1.8 m from the ground, ceiling, roof, or other coverings minimum distance is 0.5 m, minimum distance with both sides wall is 0.5 m

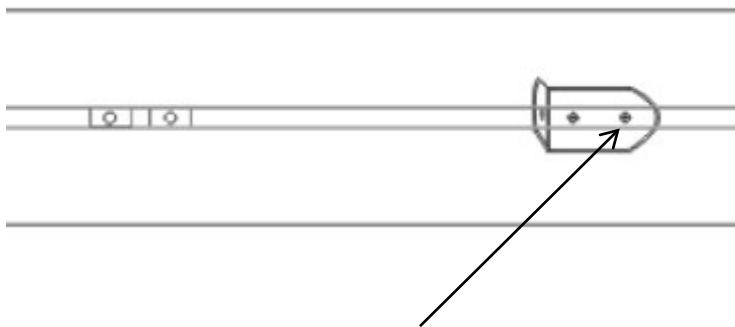


- **Installation steps**

1. There are 4 brackets and fasteners on the heater. In addition, on the back of the heater there are four square fasteners of 25 x 25 mm. Loosen the screws (M5*10) on the square fastener and fix the two brackets to the back of the heater with screws and fasteners. Secure the bracket at an appropriate distance (45-55 cm).

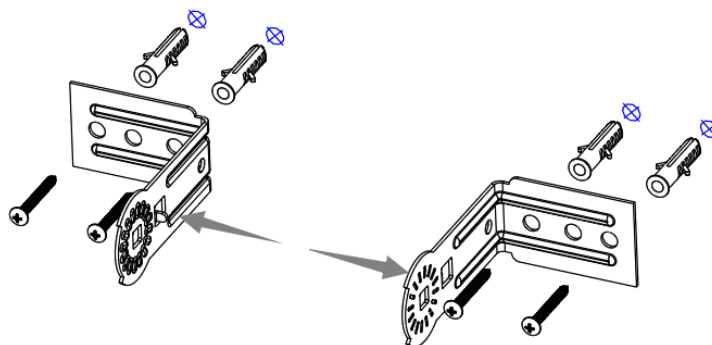


25 x 25 mm Square fasteners

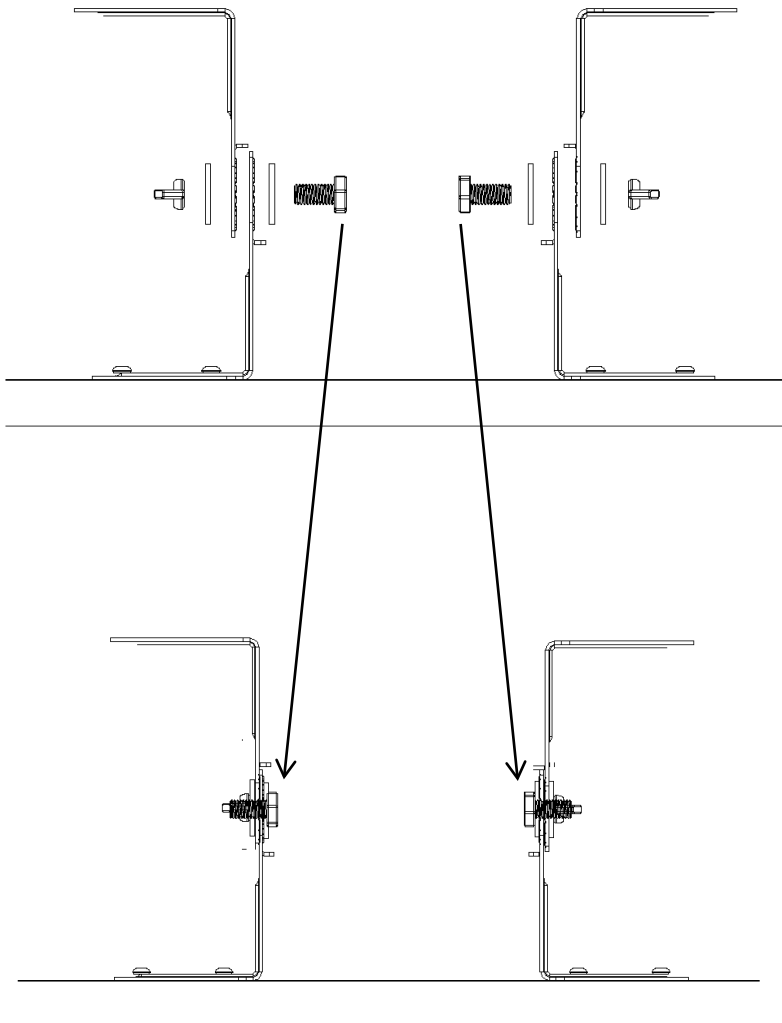


M5*10 screw

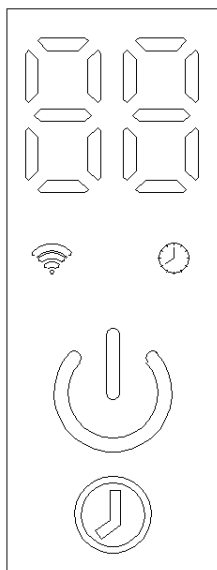
2. Depending on the distance of the bracket on the back of the heater, attach the other two brackets to the wall. Using a percussion drill, drill holes around two round holes with a diameter of 8 mm. Insert the four plastic wall anchors into the four holes, fix the bracket with four ST4*35 screws, and make sure the mounting points are fixed firmly.



3. Fix and connect the bracket fixed to the wall with the bracket on the heater with a nut, and adjust the angle of the heater. (Direction of the heating range required)



Product operation instructions



Plug in the power and the heater is on standby The white light is on, press and the digital screen display P0. Touch again can adjust the gear, they are P0 P5 and P9 respectively.

Finally, press again return to the flashing standby P0, without operation for 10 seconds in the P0 state return to the flashing standby state

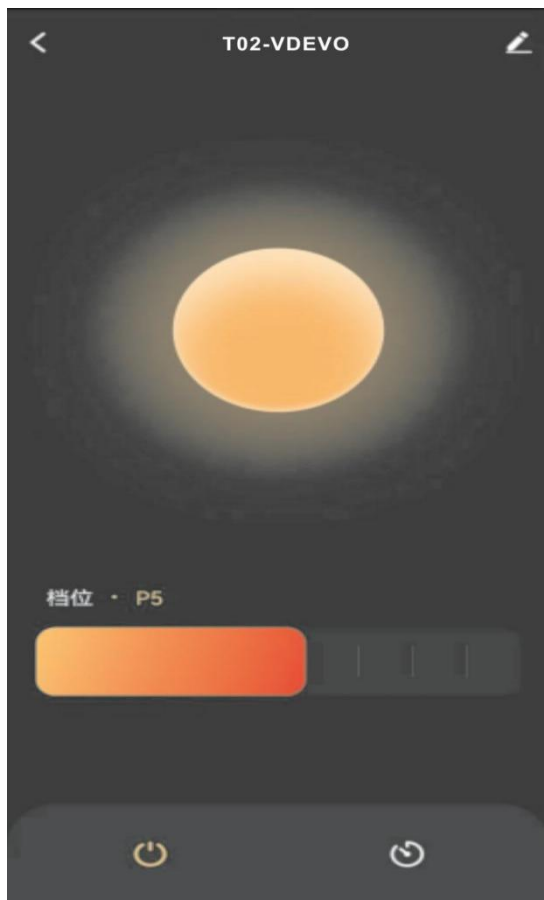
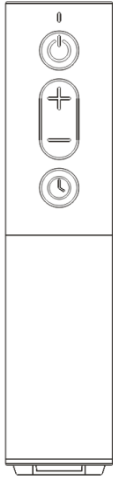
Press the digital display 01, always on, press the key to the digital display 00, turn off. 3 seconds without operation back to the P1P2 power interface.



WIFI type

The function is the same as that of ordinary electronic models, the difference is that

after the main power is turned on and Flash, long press Three seconds to reset WIFI, WIFI connect status always on.

Remote control operation: The product will show P0 after powering on. At this time, you can switch the P1-P9 mode by "+" and "-", and press the key to enter the timer setting. You can set the time from 0-24 hours by "+" and "-". Press the ON button again to enter standby mode.



- WiFi operation: the WiFi light  will flash, indicating that the WiFi is not connected, to be connected. Connection method: enter Tuya APP, enter the local WiFi account password, and search to add device.  Bright light after the connection.◦

The name can be customized

Tap the circle key to adjust the gear position

The gear slider can drag to adjust the gear

Switch button on the left
Right timing button

Reset WiFi method:  long button for 5 seconds.

Model category

Model	Power	Gear	Time(H)	Type	Note
T02-GR20B	2000W	9 Equal score	24Hour	Wall hanging type	-
T02-HR20B					
T02-GW20B					
T02-HW20B					
T02-GR25B	2500W				
T02-GW25B					
T02-GR30B	3000W				
T02-GW30B					

Maintenance and cleaning

maintain

Attention! It is necessary to regularly and carefully maintain the infrared heater to realize the long-term and efficient operation of the equipment.

Check the cleanliness of reflector and infrared filament at least once a month. If necessary, apply cleaning and maintenance instructions.

Considering the amount of dust in the environment, the number of inspections can be increased.

When cleaning the equipment, visually inspect the deformation of mirrors, wires and frames. If there is any deformation, please consult a qualified technician.

When cleaning the equipment, visually check the power cord and plug. If there is any deformation, please consult a qualified technician.

It is recommended to replace the reflector every two years to improve the working efficiency.

clean

Attention! Regular cleaning will help your heater run longer and more efficiently.

Before cleaning the equipment, unplug the power cord to ensure safety.

Use a flat-blade screwdriver to take out the front grille line through the entrance on the frame.

For your safety, please make sure the power is turned off. The power plug must be unplugged.

The reflector and filament must be cleaned with a soft cloth, a smooth brush or cold or dry air. The cloth may be wet, but don't be too wet. The detergent should not contain any chemicals.

Avoid using cleaning materials that may damage the reflector (detergent, etc.).

Or this symbol on the packaging of the product indicates that the electrical appliance cannot be regarded as ordinary household garbage, but must be handed in at the



collection point where electrical appliances and electronic products are recycled.

Your correct handling of products contributes to protecting the environment and the health of your family. Improper disposal endangers health and the environment. More information about recycling this product can be obtained from your local town hall, your garbage collection service, or the store where you bought this product.