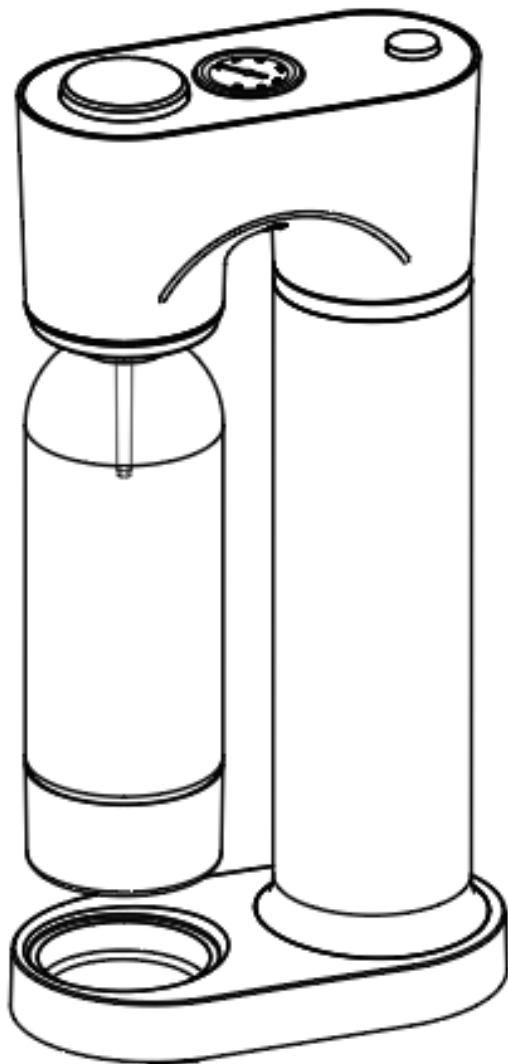




SD-7001 User Manual

MAKE LIFE HEALTHIER !

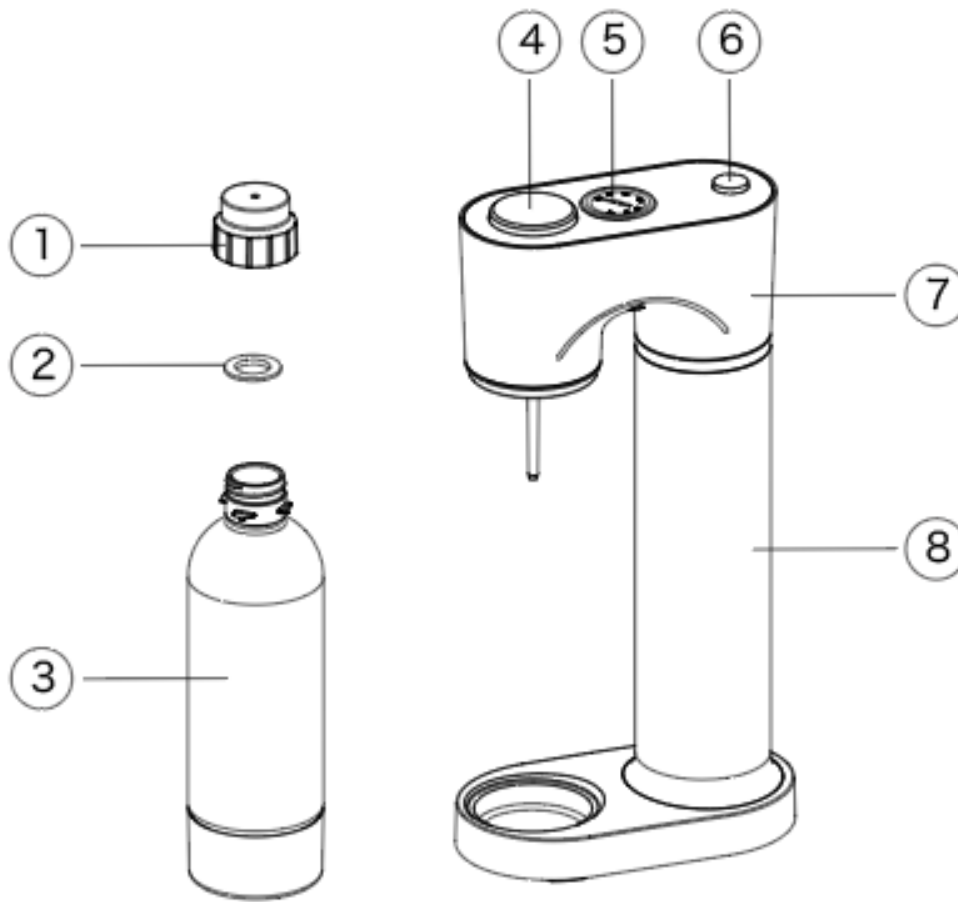


Lijia Electrical Tech Co., Ltd

Address: NO.15, Feimei Road, Liulian community,

Pingshan District, Shenzhen, GD P.R.China

PART DESCRIPTION



1	Bottle cap	5	Pressure Gauge
2	Sealing ring	6	Exhaust button
3	PET Bottle	7	Upper housing
4	Carbonating Button	8	Lower housing

INSTRUCTIONS

It is important that you read and understand all use and care instructions and the important safety information before using the Sparkling Water Maker / Soda Maker to prevent personal injury and damage to your machine.

Warning:

Please do not carbonate an empty bottle.

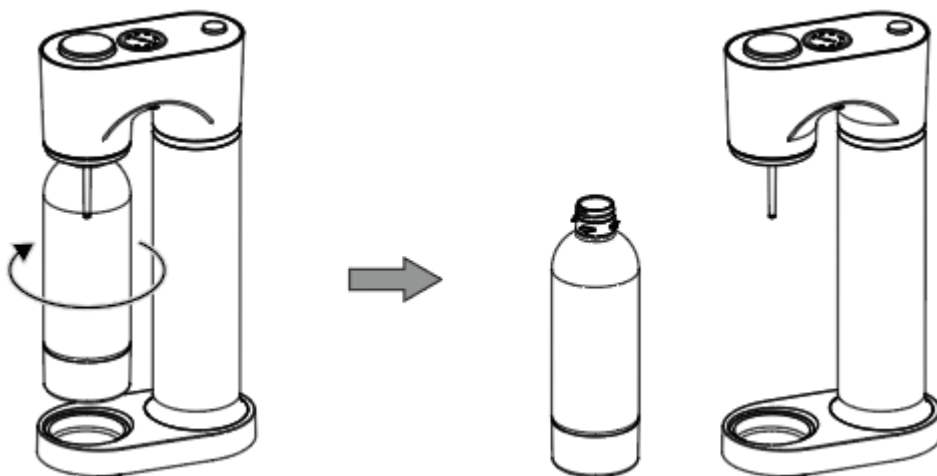
PET bottle must be properly in place before operating the Soda Maker.

PET bottle is valid for two years, but suggest to change once a year.

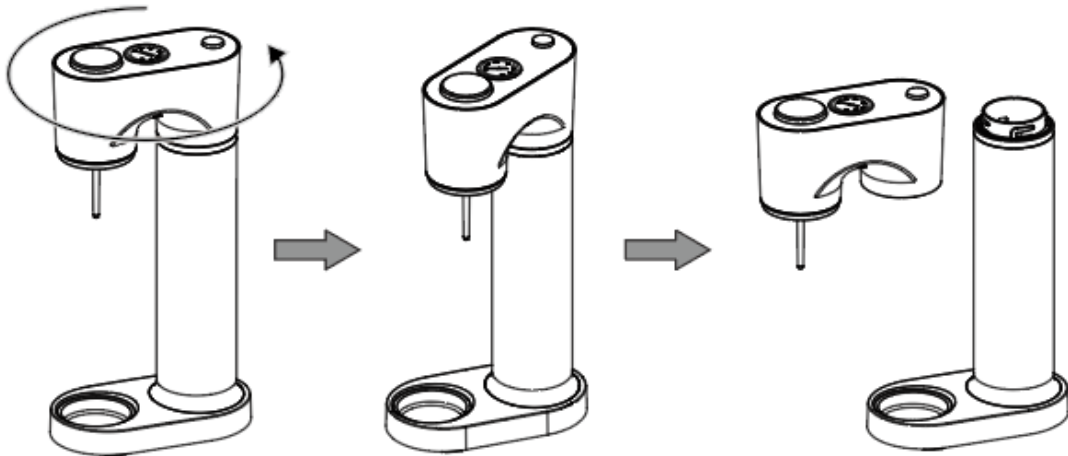
This machine is not dishwasher safe.

How to operate

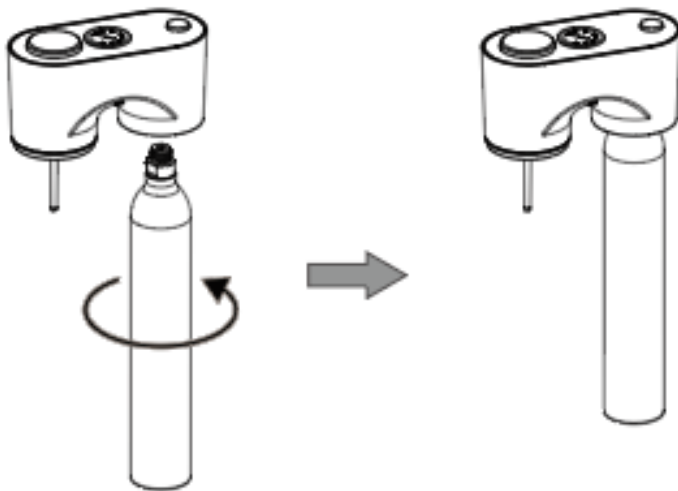
1. Unscrew the PET bottle from the Soda Maker.



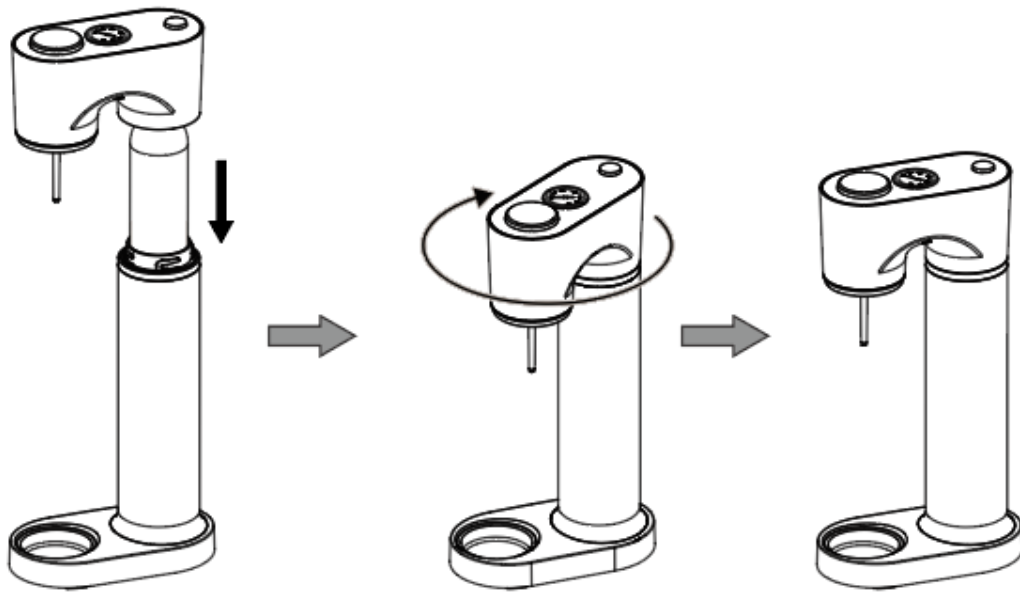
2. Screw the upper housing off.



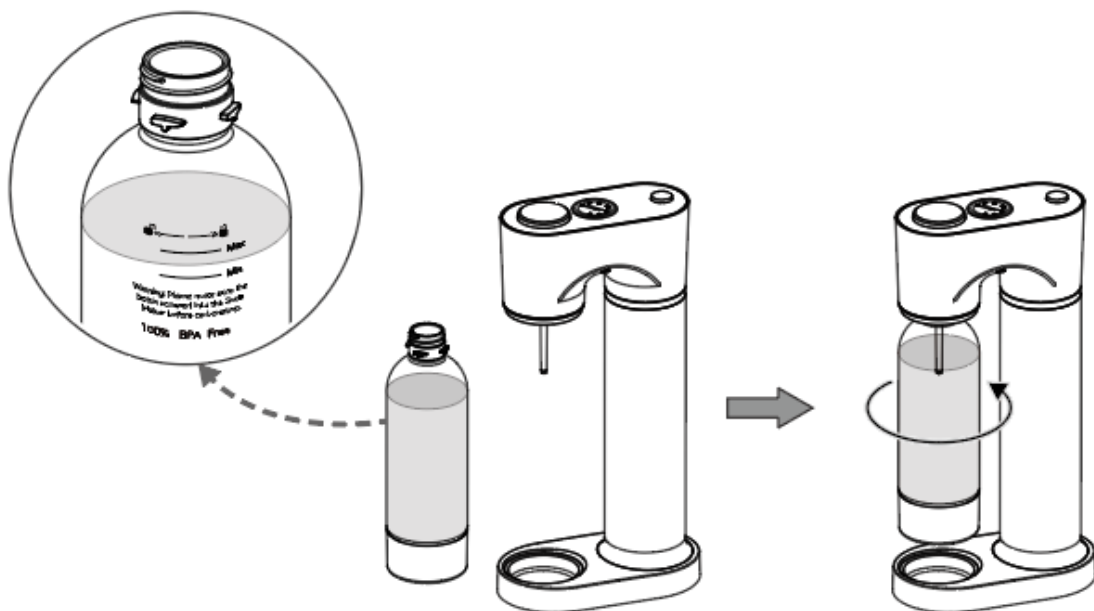
3. Remove the valve seal and cap from the CO₂ cylinder. Insert the CO₂ cylinder into the upper housing and screw it tightly into the cylinder holder.



4. Screw the upper housing into the lower housing and twist.



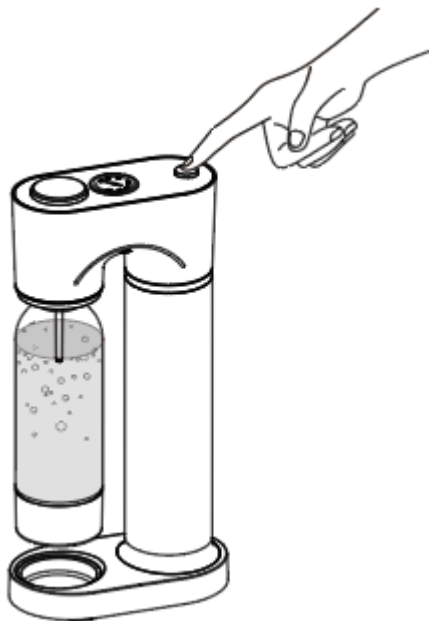
5. Rinse bottle before using it for the first time. Fill the PET bottle with water to fill line (between Min line and Max line). Then screw the PET bottle into the bottle holder on upper housing.



6. Press the Carbonating Button and hold it till you hear loud buzz. Check pressure gauge indicator.



7. Press the exhaust button to release excess CO₂ until the pressure gauge shows 0.



8. Remove the PET bottle from Soda Maker.

Use of Soda Maker

Please do not put the device near the heat source (such as stove, water heater etc.). If possible, keep out of direct sunlight.

Please do not immerse the machine into water. And do not rinse it with water during the operation.

Note: only use it when the PET bottle is filled with water.

Note: there is pressure in the carbon dioxide cylinder.

Use of Bottle

This product could only use bottle from this brand for your safety, it will lead malfunction or safety risk and warranty failure by using other brand bottle.

Do not use PET bottle in the environment under 1°C, and do not freeze it.

Never use an empty bottle during the operation.

When the PET bottle is deformed, scratched or expired, please do not use it and change for another new bottle.

Put the bottle in cool and dry places, do not put it in the hot place above 40°C (near sunlight, stove, heater and so on)

If the bottle is cooler than the room temperature, please wait it to ambient temperature by leaving it in the room, but do not heat it.

If the bottle is warmer than the room temperature, please wait it to

ambient temperature by leaving it in the room, but do not freeze it.

If the bottle is frozen, do not touch skin to avoid being frostbitten.

How to clean

Wipe the head of machine with wet cloth, if necessary, with mild detergent. Do not use any corrosive detergent.

Use water (not higher than 40°C) to wash the bottle regularly.

If you are not going to use the bottle in short term, please keep the cap open to keep the interior dry thoroughly. The ambient temperature for the bottle must be not higher than 40 °C.

It is suggested to wash the bottle interior with clean water and dry up each time after use.

Remarks:

1. When making sparkling water, you could add some flavor ingredients in the water, but the bottle should be rinsed by water after finishing operation then empty the bottle to dry, to avoid corrosive safety risk of tube stuck by ingredients remain in the bottle.

2. Do not use flavor ingredient with large particles and high sticky and corrosive beverage, because high sticky liquid would produce much foam when mix with CO₂. When releasing pressure, those foam will spilled out with gas.

3. When CO₂ pressure in PET bottle reaches 0.78MPa, it reaches the max

pressure in the bottle, it will trigger pressure relief protection, you can hear sound of excess CO₂ releasing, meanwhile there is some gas spills out. At this time, please stop pressing Carbonating Button or CO₂ will be wasted.

4.If you could not hear sound, it may indicate there is not enough gas in the cylinder, then you need to change to another cylinder.

5.If use ice water, it would produce more tasty drinks. So we suggest to cool the water before use.

Processing

The packing material is recyclable, please send it to the recycling center.

If you want to dispose the product, please contact the local dealer, do not treat it as normal waste.

Safety Instructions

Please check the Soda Maker and its accessories (carbon dioxide cylinder, PET bottle etc.). if find any damage and defect, please contact our customer service.

Please do not use the product and related accessories if damage and defect has not been repaired.

Do not change or repair products and accessories by yourself. The maintenance could only be done by authorised representative.

Please only use the original accessories that provided or recommended by manufacturer, or the committed warranty will be invalid.

Product Warranty

The warranty period is one year from the date of purchase. If there is any malfunction, please contact our after service center.

We preserve the right to modify structure and design of product according to company's sustainable development.

This warranty does not cover:

Malfunction caused by misuse, disassembled and repaired by unauthorized party.

Did not use original or recommended accessories.

Warranty Card

Customer Name: _____

Customer Order No.: _____

Manufacture Date: _____

Contact Phone No.: _____

Aftersale Type: Replacement Repairment

Replacement Reason: Malfunction Quality Problem

Wrong delivery Wrong color

Product name and quantity: _____

Please carefully use the machine under the guidance of user manual.

Warranty Period: 12 months