

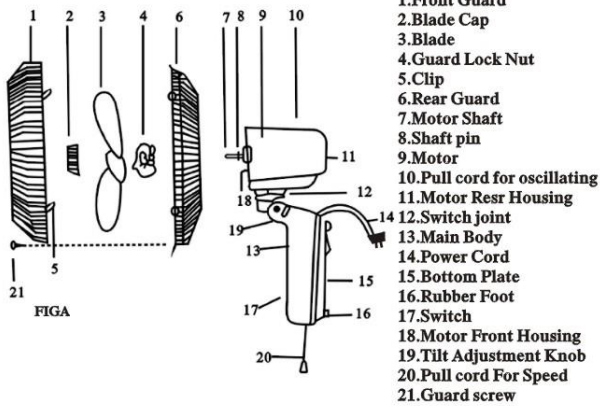


HomeElectric

18" WALL FAN

MODEL: HWF-1825
HWFR-1834

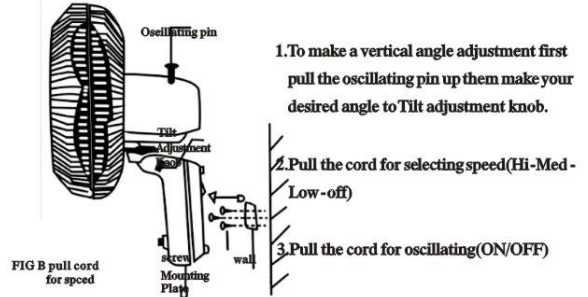
A. PARTS DIAGRAM:



B. ASSEMBLING INSTRUCTIONS:

1. Unscrew the screw on the edge of the rear grille.
2. Unscrew the Blade Cap by turning clockwise & Guard Lock Nut by turning counter clockwise.
3. Mount the Rear Guard to the Motor by matching the 3 holes on the Rear Guard to the 3 round pins on the motor Front Housing in firmly until 3 pins protrude through the 3 holes.
4. Secure the Rear Guard to the motor housing with Guard Lock Nut.
5. Insert the Blade onto Motor Shaft by matching slots in the Blade with pin in shaft and tighten the Blade with Blade Cap by turning counter clockwise.
6. Test Blade by rotating with your hand. Make sure there is no friction with Guard Lock Nut. Blade should rotate freely otherwise repeat steps again from STEP 1.
7. Mount Front Guard onto Rear guard by inserting hook of Front Guard over Rear Guard & secure with Clips on Front Guard.
8. Tighten the screw on the edge of the rear grille through front grille as fig A.

C. OPERATING INSTRUCTIONS:



D. INSTALL THE FAN ON THE WALL:

1. Install the mounting plate on the wall by using three screws as provided (see fig. B)
2. Hang the fan onto the mounting plate.
3. Make electrical connections to the power source.

21X14.2CM