



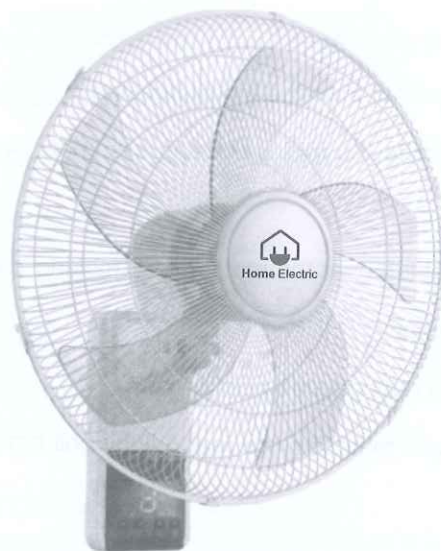
HomeElectric

Users' Manual

MODEL: HWF-1832

18" WALL FAN with remote control

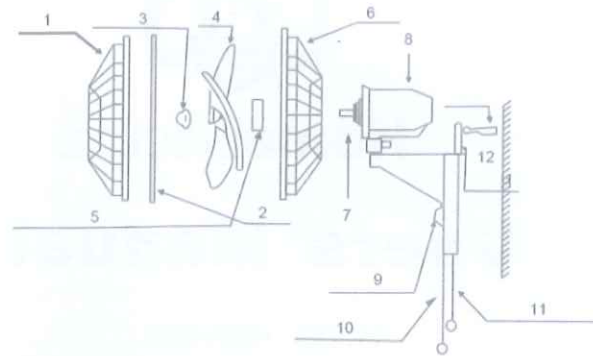
(Pls read and save these instructions carefully)



WARNING:

The product must be installed in accordance with the national wiring rules.

ASSEMBLY DIAGRAM:



- | | | |
|----------------|-------------------|-------------------------------|
| 1. Front grill | 5. Rear grill nut | 9. Switcher box |
| 2. Grill rim | 6. Rear grill | 10. Speed string |
| 3. Blade nut | 7. Shaft | 11. Oscillation string |
| 4. Blade | 8. Motor | 12. Hanging plate with screws |

ASSEMBLY:

1. Remove the grill nut from the motor housing
2. Put the rear grill to the motor housing assembly by tightening the grill nut
3. Slide the fan blade over the motor shaft, making sure the pins located on the motor shaft
4. Lock the blade nut tightening clockwise
5. Put the front grill matching the rear grill by grill rim and tighten the rim screw
6. Make two holes on the wall according to the holes of the hanging plate and then hit two expansion screws into the holes then fasten by screwing the nut

NOTE: This operation must be done with the fan always off.

OPERATION: Ensure the product is fully assembled before plugging it into an outlet.

1. Place the assembled fan on the wall and ensure it is set to "0", means "OFF"
2. Plug the power cord into a standard AC electrical outlet
3. To turn on the unit by use remote control for 3 speeds/oscillation/3 models/8 hours timer
4. To turn off the unit by use remote control, "0" means "OFF"

WARNING: Always unplug the product from the outlet when not in use or if it will be left unattended.

CLEANING AND MAINTENANCE

Warning: This unit is intended for household and domestic use only.

Always unplug the unit before cleaning.

1. Always disconnect the appliance from the mains by switching it off and removing the plug from the power outlet before cleaning.
2. To clean the outer surface of the appliance, use a lightly damp cloth, then, dry it thoroughly with a soft, dry cloth before using again.
3. Do not allow water to penetrate the motor during cleaning.
4. Do not reconnect the unit until it is completely dry.
5. Well assemble the product before use
6. Before connecting the appliance, check that:
 - The supply voltage is the same as the nameplate
 - The power supply socket is suitable to the device
 - The cable plug is adapted to the socket (the product is intended only for a socket with a main voltage of 220V/50Hz)

7. Never insert fingers, pencils or other objects through the grill when the unit is running
8. Make sure the unit is placed on a stable surface when in using
9. Do not use your unit near a window. The rain could cause an electrical shock
10. Never leave the unit running unattended
11. For security reasons, you must always remove the plug from the outlet when not in using
12. Do not use chemicals or detergents for cleaning, it could easily damage or deform the unit
13. Do not use the unit with a damaged cord or plug
14. Never attempt to disassemble or repair the device by yourself. In the case of repairs by someone not competent, the warranty is void
15. Unplug the product when you move it
16. Never run the product in the presence or within reach of unsupervised children
17. The unit and the grill should not be removed for maintenance or cleaning
18. The appliance can be used by children aged from 8 years and above and persons with reduced physical, sensory or mental capabilities or lack of experience and knowledge if they have been given supervision or instruction concerning use of the appliance in a safe way and understand the hazards involved. Children shall not play with the appliance. Cleaning and user maintenance shall not be made by children without supervision.

19. WARNING!! If the power cable is damaged, it must be replaced by the manufacturer, its after sales service or similar qualified person in order to avoid a hazard
20. The plug must be removed from the base before cleaning the appliance or undertaking maintenance operations
21. Once the device is assembled, it is forbidden to remove the grill
22. This appliance is intended to be used in household and similar applications such as:
- Staff kitchen areas in shops, offices and other working environments
 - Farm houses
 - BY clients in hotels, motels and other residential type environments
 - Bed and breakfast type environments
23. Regarding the correct assembly of the device, refer to next page of corresponding instructions
24. For cleaning and maintenance instruction, refer to next page of corresponding section
25. User instructions should be provided with the device so that it can be used safely

TECHNICAL SPECIFICATIONS

MODEL NO.	HWF-1832
POWER SUPPLY	220V/50Hz
WATTS	65W
CLASS	CLASS II